

## Technical change to LSF-SMT with Tape on Reel packaging

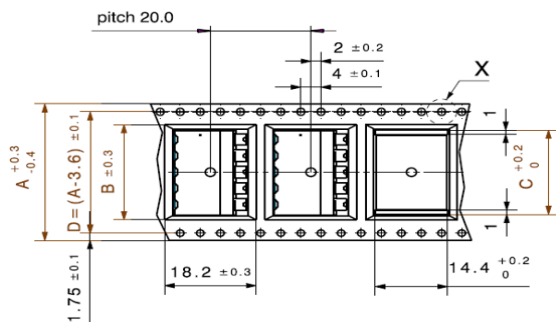
Dear Madam or Sir,

the below listed articles will be supplied in a modified revision. Please pass this product information on to your employees and, if needed, to your customers. All modifications are performed for reasons of product improvements.

### 1. Technical change

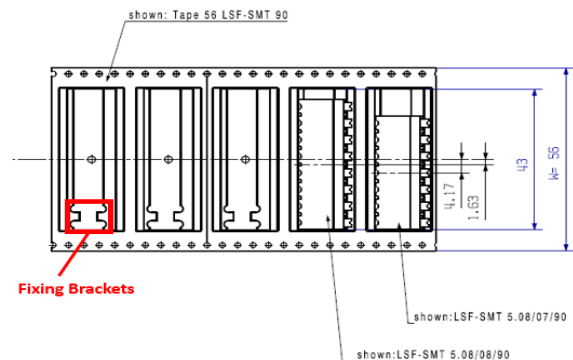
We have optimized the tape of the LSF-SMT 90° and 135°. The changeover will have no influence on both electrical and mechanical performance of the product. Below please see the major difference between the old and new version:

#### LSF-SMT 90° old version



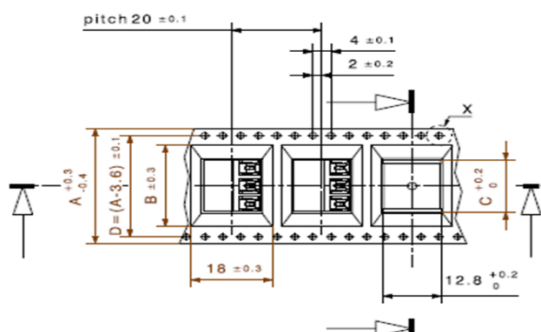
- Parts in the middle of the pocket

#### LSF-SMT 90° new version



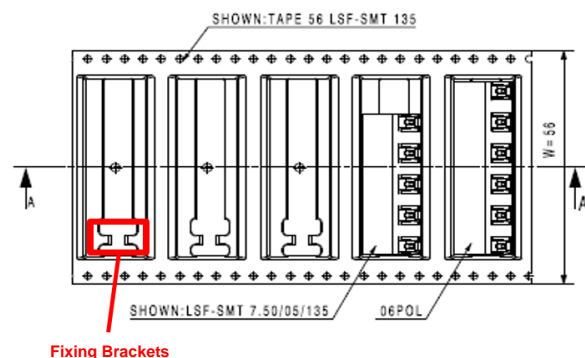
- Parts on the left side of the pocket
- Fixed by two fixing brackets

#### LSF-SMT 135° old version



- Parts in the middle of the pocket

#### LSF-SMT 135° new version



- Parts on the left side of the pocket
- Fixed by two fixing brackets

## 2. Reason for change

The change makes considerable improvement for the standardization. The new tape brings better performance and lead time as well.

## 3. Availability

The production of new version will start March, 2019. The article no. remains with no change. There will be no specific stock cleaning. Parts with previous package will still be delivered until the inventory is cleaned up.

## 4. Affected parts

- LSF-SMT 90°
- LSF-SMT 135°

The detailed article no. are listed in a separate spreadsheet attached.

We are very sorry for all the inconveniences caused and doing everything to adjust this product change as smooth as possible without big influence on delivery times and general functions.

For further questions please contact your sales office directly. All contacts for sales representatives are available here: [www.weidmueller.com/contact](http://www.weidmueller.com/contact)

Best regards

Product Management

Weidmüller Interface GmbH & Co. KG  
Klingenbergstraße 16, 32758 Detmold, Germany

**Weidmüller** – Your partner in Industrial Connectivity  
We look forward to sharing ideas with you – **Let's connect.**