

Technical change to Push Buttons

Dear Madam or Sir,

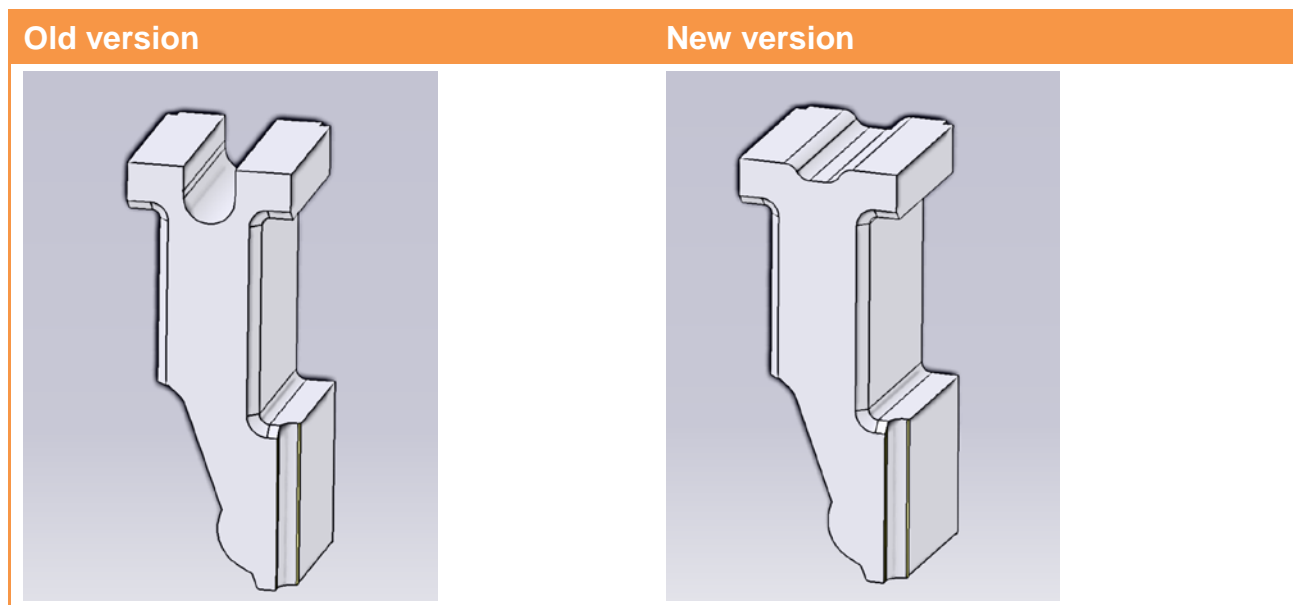
The below listed articles will be supplied in a modified revision. Please pass this product information on to your employees and, if needed, to your customers. All modifications are performed for reasons of product improvements.

1. Initial situation

As part of our on-going product maintenance and improvement we are going to change the push buttons of the product families listed below (Affected parts).

2. Technical change

The new push buttons become much flatter, which prevents jamming of the screwdriver.



3. Availability

To ensure a smooth change over to existing customer, the conversion will be done step by step without changing any part numbers. There will be no stock cleaning. Thus, during the conversion period it may lead to a mixed delivery of orders to individual customers, but never mixed in one packaging unit. The changeover will be done at the beginning of December 2018.

4. Affected parts

- BLF 5.0x
- SLF 5.08
- BLDF 5.08
- BHF 5.00
- BLF 7.62
- SLF 7.62
- LMF

We are very sorry for all the inconveniences caused and doing everything to adjust this product change as smooth as possible without big influence on delivery times and general functions.

For further questions please contact your sales office directly. All contacts for sales representatives are available here: www.weidmueller.com/contact

Best regards

Product Management

Weidmüller Interface GmbH & Co. KG
Klingenbergstraße 16, 32758 Detmold, Germany

Weidmueller – Your partner in Industrial Connectivity
We look forward to sharing ideas with you – **Let's connect.**