

## Datasheet FPL motor lines



### FPL motor lines with HQ8 plug-in connectors in accordance with IEC 23750

- Wire diameter 2.5 mm<sup>2</sup>
- 4-conductor for U, V, W, PE
- 7-conductor for U, V, W, PE, brake control
- Unshielded
- Shielded
- Lengths of 3 m, 5 m or 10 m

**Great Britain**  
Weidmüller Ltd  
Klippon House  
Centurion Court Office  
Meridian East,  
Meridian Business Park  
Leicester, LE19 1TP  
Phone +44 1162 823470  
Fax +44 1162 893582  
marketing@weidmuller.co.uk

**United States**  
W-Interconnections Inc.  
821 Southlake Boulevard,  
Virginia - Richmond 23236  
Phone +1 804 7942877  
Fax +1 804 3792593  
info@weidmuller.com  
www.weidmuller.com

**Other countries**  
Weidmüller Interface GmbH & Co. KG  
Postfach 3030  
32720 Detmold  
Klingenbergstraße 16  
32758 Detmold  
Phone +49 5231 14-0  
Fax +49 5231 14-292083  
info@weidmueller.de  
www.weidmueller.com

**FPL 4G2.5/Q8KW**

4-conductor unshielded



**Pin assignments**

	Pin	Conductor	Assignment
8 = nc	1	1	U
	2	-	-
5 = nc	3	3	W
	4	-	-
⊕ = PE	5	-	-
	6	-	-
3 = W	7	2	V
	8	-	-
2 = nc	PE	gr./yell.	PE

**Technical data**

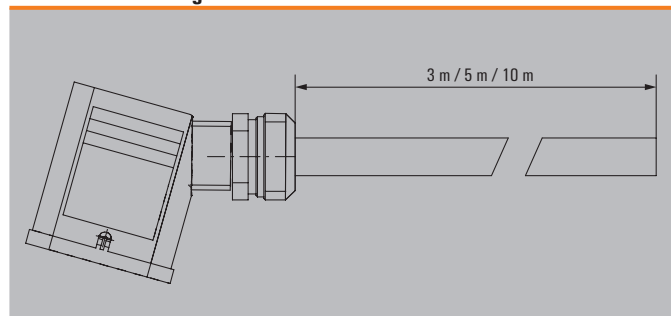
Contact insert	HQ8, male pin
Contact surface	Silver
Housing	Plastic
Cable gland	Plastic
Rated voltage U <sub>0</sub> /U	300/500 V
Rated current	16 A
Protection class (in plugged state)	IP 65
Line type	Lapp Ölflex Classic 110 4G2.5 or similar

**Ordering data**

Type	Length	Qty.	Order No.
FPL 4G2.5/Q8KW/3	3 m	1 piece	8000011742*
FPL 4G2.5/Q8KW/5	5 m	1 piece	8000011743
FPL 4G2.5/Q8KW/10	10 m	1 piece	8000011744

\* preferred types

**Dimensioned drawing**



**FPL 4G2.5C/Q8MW**

4-conductor shielded



**Pin assignments**

	Pin	Conductor	Assignment
8 = nc	1	1	U
	2	-	-
5 = nc	3	3	W
	4	-	-
⊕ = PE	5	-	-
	6	-	-
3 = W	7	2	V
	8	-	-
2 = nc	PE	gr./yell.	PE

**Technical data**

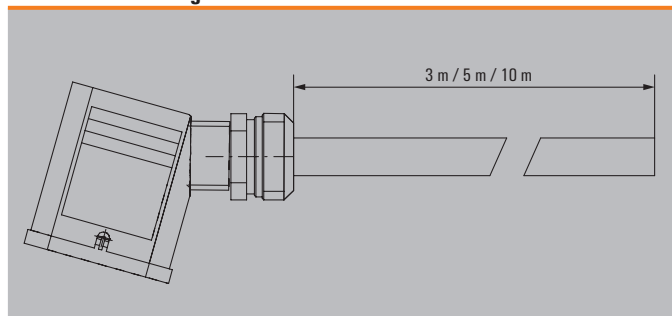
Contact insert	HQ8, male pin
Contact surface	Silver
Housing	Plastic
Cable gland	Plastic
Rated voltage U <sub>0</sub> /U	300/500 V
Rated current	16 A
Protection class (in plugged state)	IP 65
Line type	Lapp Ölflex Classic 110 CY 4G2.5 or similar

**Ordering data**

Type	Length	Qty.	Order No.
FPL 4G2.5C/Q8MW/3	3 m	1 piece	8000011748*
FPL 4G2.5C/Q8MW/5	5 m	1 piece	8000011749
FPL 4G2.5C/Q8MW/10	10 m	1 piece	8000011750

\* preferred types

**Dimensioned drawing**



**FPL 7G2.5/Q8KW**

7-conductor unshielded



**Pin assignments**

	Pin	Conductor	Assignment
8 = nc	1	1	U
	2	-	-
5 = nc	3	3	W
	4	4	Brake
⊕ = PE	5	-	-
	6	5	Brake
3 = W	7	2	V
	8	-	-
2 = nc	PE	gr./yell.	PE

**Technical data**

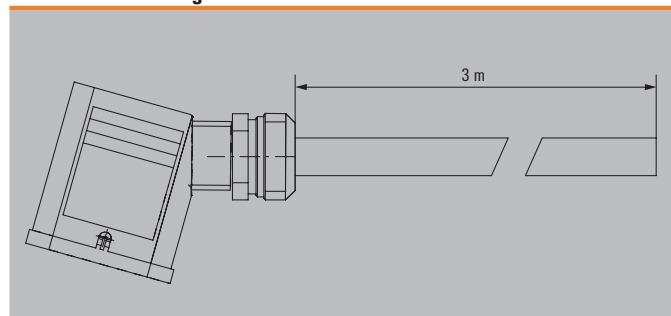
Contact insert	HQ8, male pin
Contact surface	Silver
Housing	Plastic
Cable gland	Plastic
Rated voltage U <sub>0</sub> /U	300/500 V
Rated current	16 A
Protection class (in plugged state)	IP 65
Line type	Lapp Ölflex Classic 110 7G2.5 or similar

**Ordering data**

Type	Length	Qty.	Order No.
FPL 7G2.5/Q8KW/3	3 m	1 piece	8000011745*

\* preferred types

**Dimensioned drawing**



**FPL 7G2.5C/Q8MW**

7-conductor shielded



**Pin assignments**

	Pin	Conductor	Assignment
8 = nc	1	1	U
	2	-	-
5 = nc	3	3	W
	4	4	Brake
⊕ = PE	5	-	-
	6	5	Brake
3 = W	7	2	V
	8	-	-
2 = nc	PE	gr./yell.	PE

**Technical data**

Contact insert	HQ8, male pin
Contact surface	Silver
Housing	Metal
Cable gland	Metal
Rated voltage U <sub>0</sub> /U	300/500 V
Rated current	16 A
Protection class (in plugged state)	IP 65
Line type	Lapp Ölflex Classic 110 CY 7G2.5 or similar

**Ordering data**

Type	Length	Qty.	Order No.
FPL 7G2.5C/Q8MW/3	3 m	1 piece	8000011751*
FPL 7G2.5C/Q8MW/5	5 m	1 piece	8000011752
FPL 7G2.5C/Q8MW/10	10 m	1 piece	8000011753

\* preferred types

**Dimensioned drawing**

